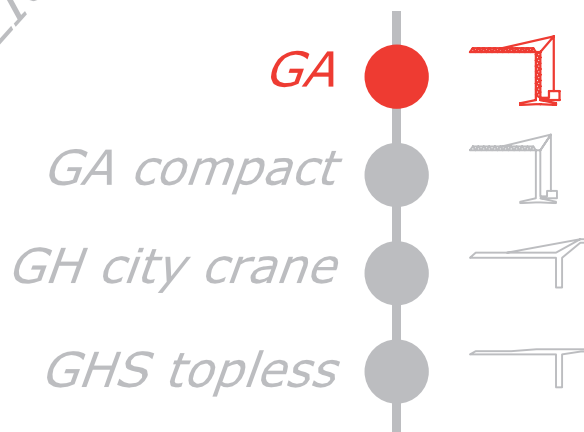


# GRU A TORRE

# GA 128

GRU AUTOMATICA CON  
MONTAGGIO IDRAULICO



*FB F.lli Butti s.r.l.*

*Via XXV Aprile, 58*

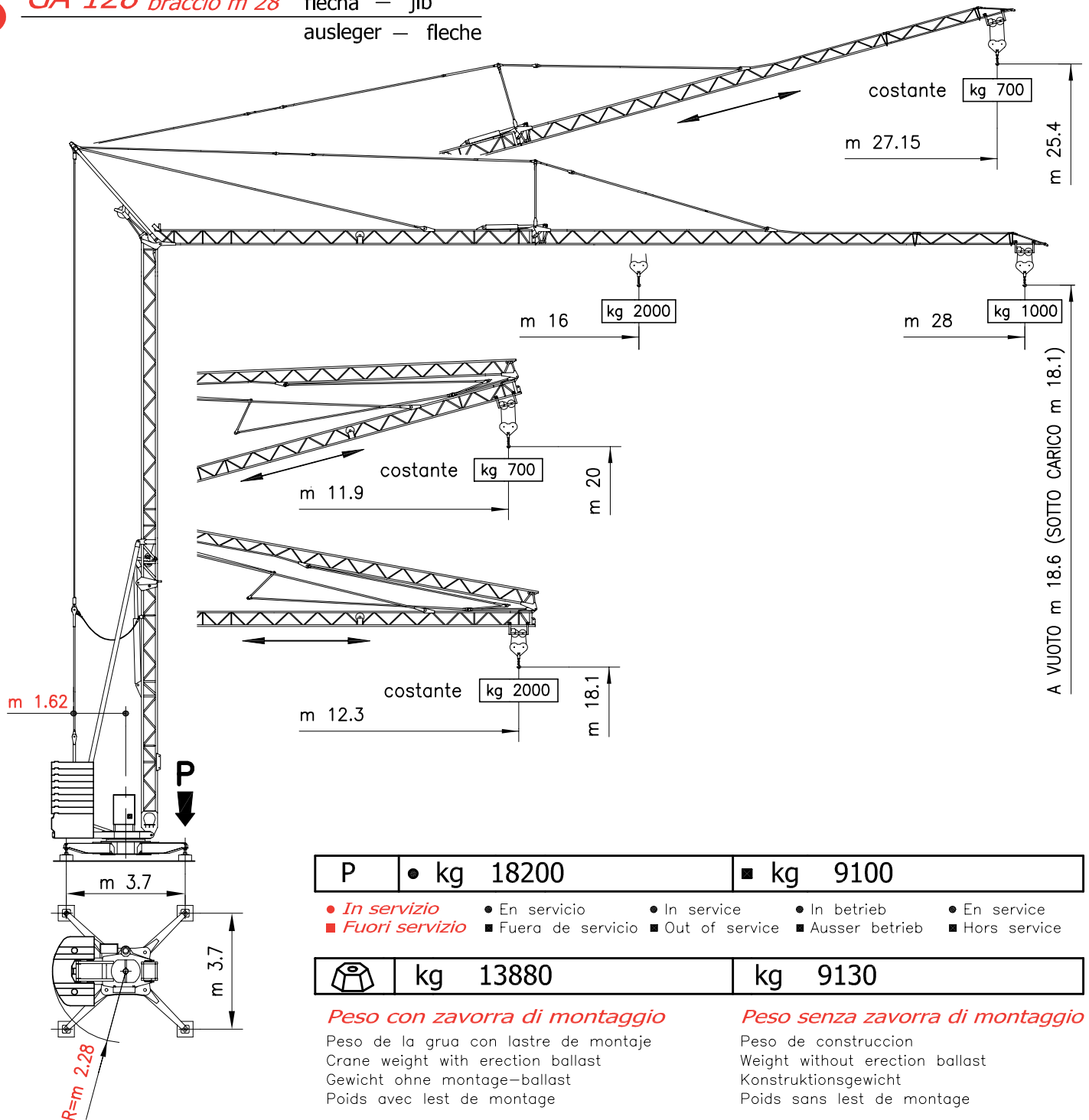
*23868 Valmadrera (LC)*

*Tel. 0341.581108 - Fax 0341.200253*

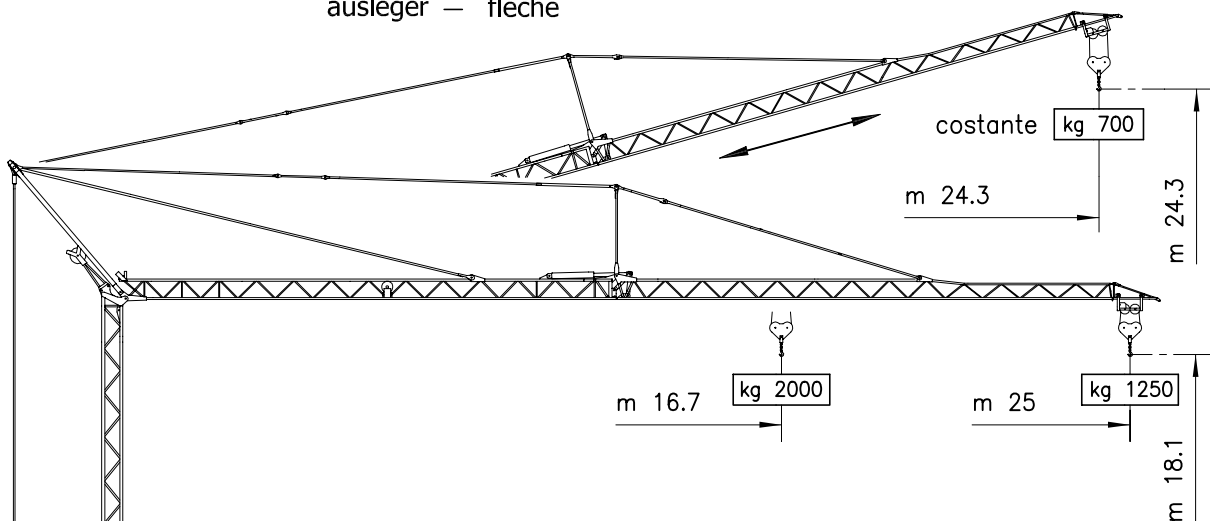
*E-mail : fbgru@fbgru.it - <http://www.fbgru.it>*



**GA 128 braccio m 28** flecha — jib  
ausleger — fleche




**GA 128 braccio m 25** flecha — jib  
ausleger — fleche




# MECCANISMI

MECANISMOS — MECHANISMS  
ANTRIEBE — MÉCANISMES

<b>MOVIMENTO</b> MOVIMIENTO MOVEMENT BEWEGUNG MOUVEMENT	<b>ALIMENTAZIONE</b> ALIMENTACION OPERATING VOLTAGE BETRIEBSSPANNUNG TENSION DE SERVICE	<b>PRESTAZIONI</b> FUNCIONAMIENTOS PERFORMANCES LEISTUNGEN EXÉCUTIONS	<b>POTENZA NECESSARIA</b> POTENCIA NECESARIA POWER REQUIREMENT KRAFTE DARF PUISSANCE NÉCESSAIRE
---	---	---	---

		▷ m/1' - kg	▷▷ m/1' - kg	▷▷▷ m/1' - kg	
<b>SOLLEVAMENTO</b> ELEVACION — HOISTING HEBEN — LEVAGE 	400 V 50 Hz	5 ↑↓	26 ↑ 27 ↓	40 ↑ 42 ↓	kW 9.2
<b>INVERTER</b>		2000	2000	1000	

		▷ m/1'	▷▷ m/1'	
<b>CARRELLO</b> CARRILLO — JIB TROLLEY LAUFKATZE — DISTRIBUTION 	400 V 50 Hz	15	40	kW 2.2
<b>INVERTER</b>				

		▷ m/1'	▷▷ m/1'	
<b>ROTAZIONE</b> ROTACION — SLEWING DREHEN — ORIENTATION 	400 V 50 Hz	0 → 0.2	0.2 → 0.95	kW 2.2
<b>INVERTER</b>				



Conforme alle direttive  
CEE sul livello acustico  
2000/14/CE

Conforme con las directivas  
CEE sobre el nivel acustico

In compliance with the EEC  
instructions on noise level

Gemass EWG-Richtlinien für  
den Schall-Leistungspegel

Conforme aux directives CEE  
sur le niveau acoustique

## CURVE DI CARICO

CURVAS DE CARGAS — LOAD DIAGRAMS  
LASTKURVEN — COURBES DE CHARGES

m	16	16.7	17	18	19	20	21	22	23	24	25	26	27	28
kg	2000	1910	1860	1740	1640	1540	1460	1380	1310	1240	1190	1130	1080	1000
		2000	1945	1830	1720	1620	1530	1450	1380	1310	1250			

<b>BRACCIO IMPENNATO</b> FLECHA IZADA LUFFING JIB AUSLEGER IN STEILSTELLUNG FLÈCHE RELEVÉE	↔	<b>Carrellino distributore</b> Carrellino distribuidor — Traversing trolley Verfahrbare laufkatze — Chariot distributeur	kg 700
--	---	--	--------

## POTENZA RICHIESTA

POTENCIA-ELECTRICA NECESARIA — NECESSARY ELECTRIC POWER  
KRAFTBEDARF — PUISSANCE ELECTRIQUE NECESSAIRE

<b>ALIMENTAZIONE TRIFASE</b> TRIFASICA THREE PHASE DREIPHASIGE TRIPHASE	<b>14 kw</b> 400 V - 50 Hz	<b>SOLLEVAMENTO</b> ELEVACION HOISTING HEBEN LEVAGE	<b>kg 2000</b>
---	----------------------------	---	----------------

Con riserva di modifiche

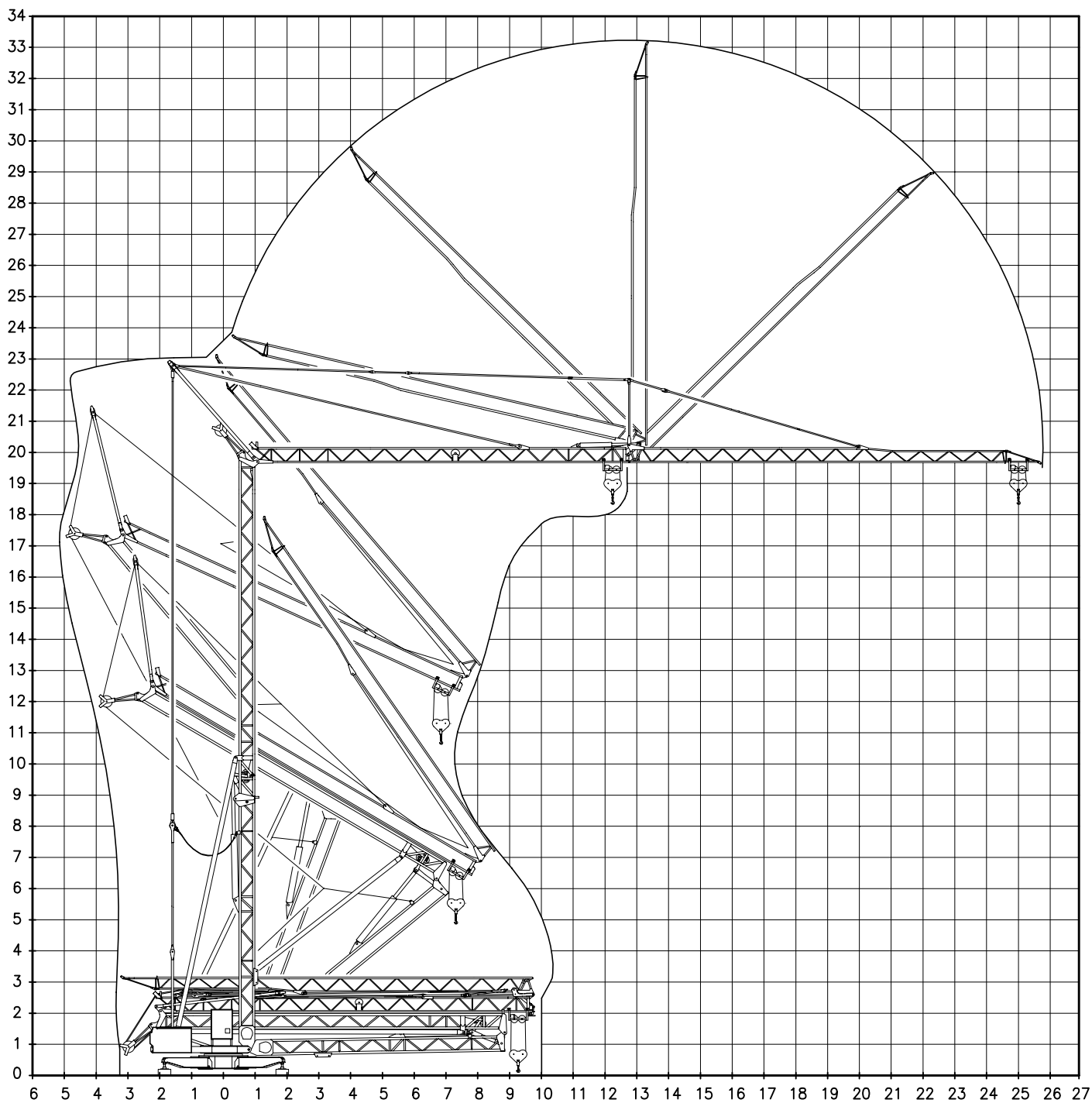
Derecho de modificaciones reservadas

Subject to change without notice

Änderungen vorbehalten

Modifications réservées

**MONTAGGIO** MONTAJE — ERECTION  
MONTAGE — MONTAGE



**TRASPORTO** TRANSPORTE — TRANSPORT  
TRANSPORT — TRANSPORT

